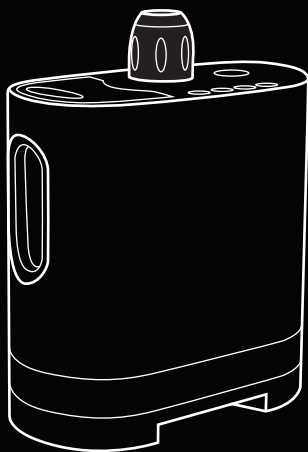
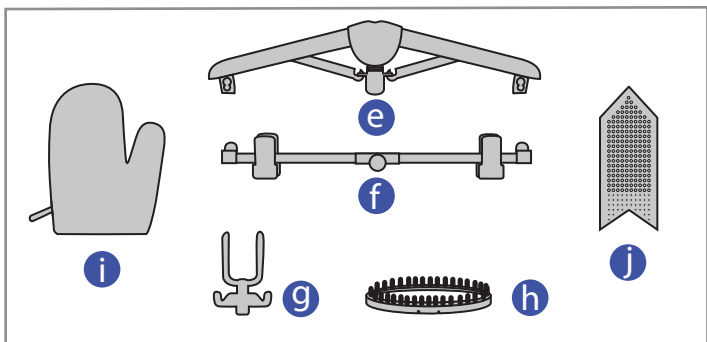
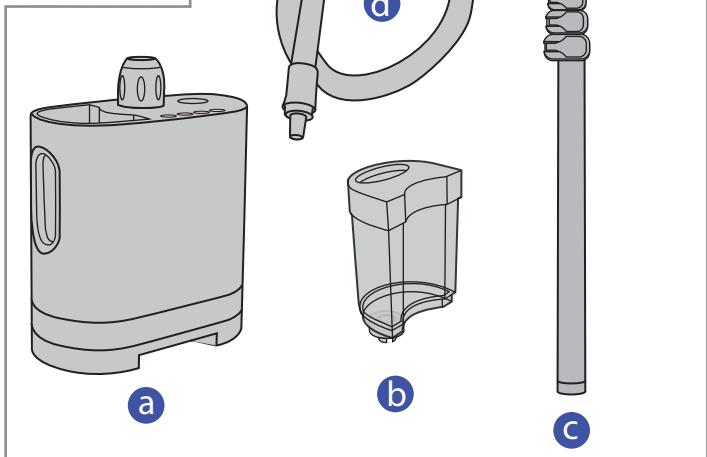


# QUICK START



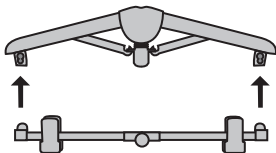
SteamOne



SteamOne

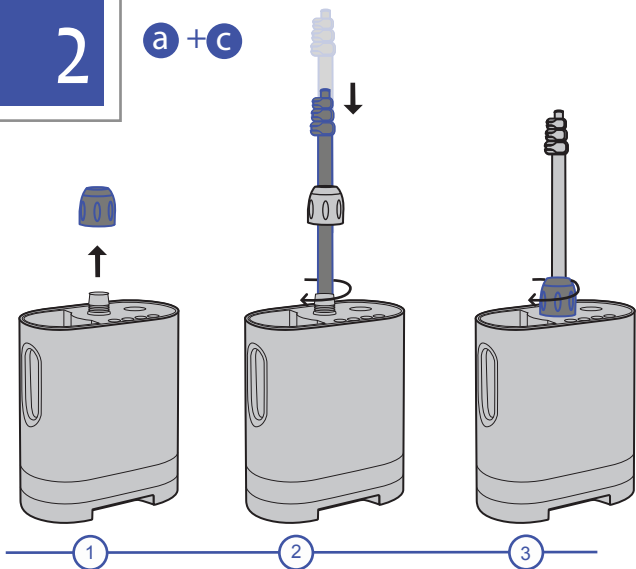
1

e + f



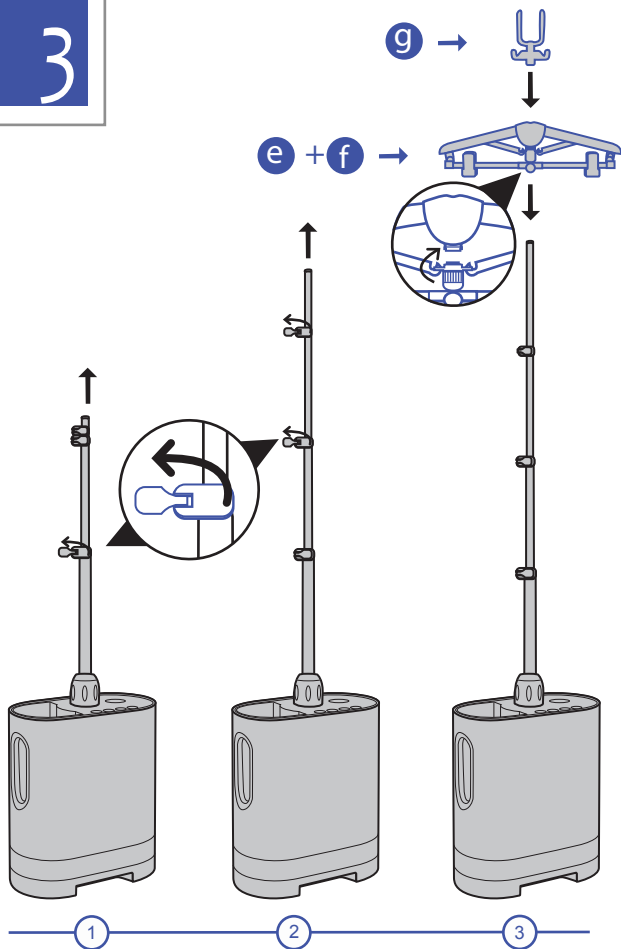
2

a + c



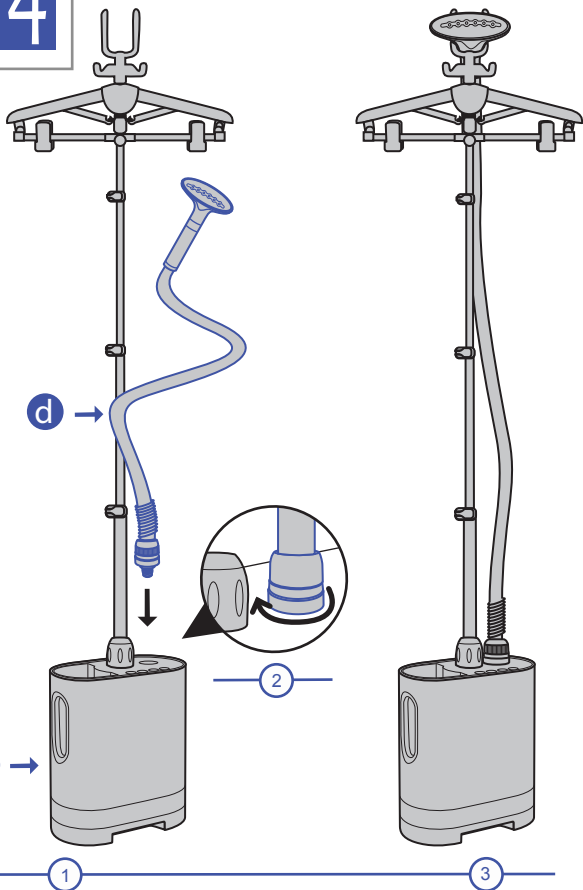
SteamOne

3

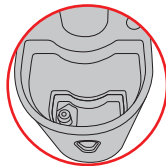
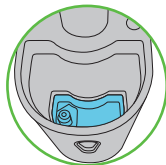
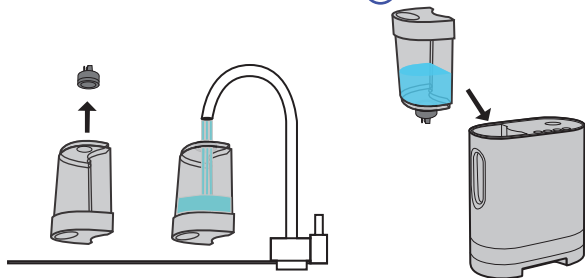
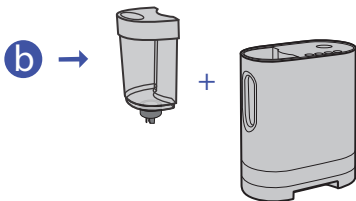


SteamOne

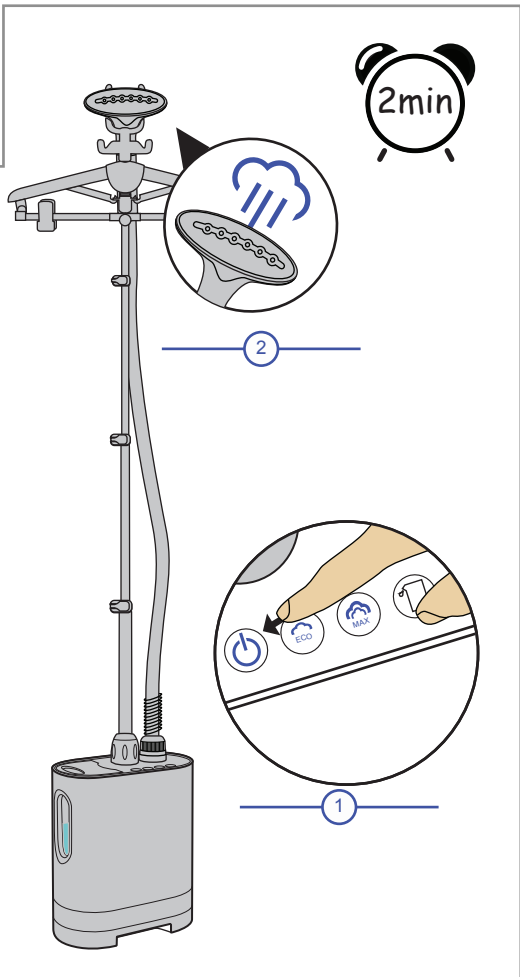
4



SteamOne



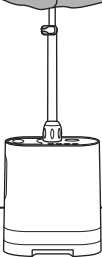
SteamOne



SteamOne



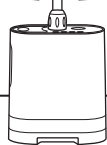
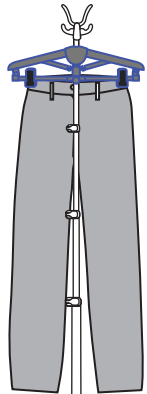
e



g

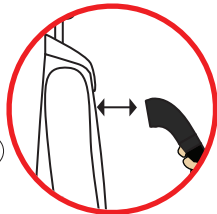


e + f



SteamOne

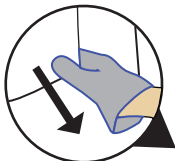




1

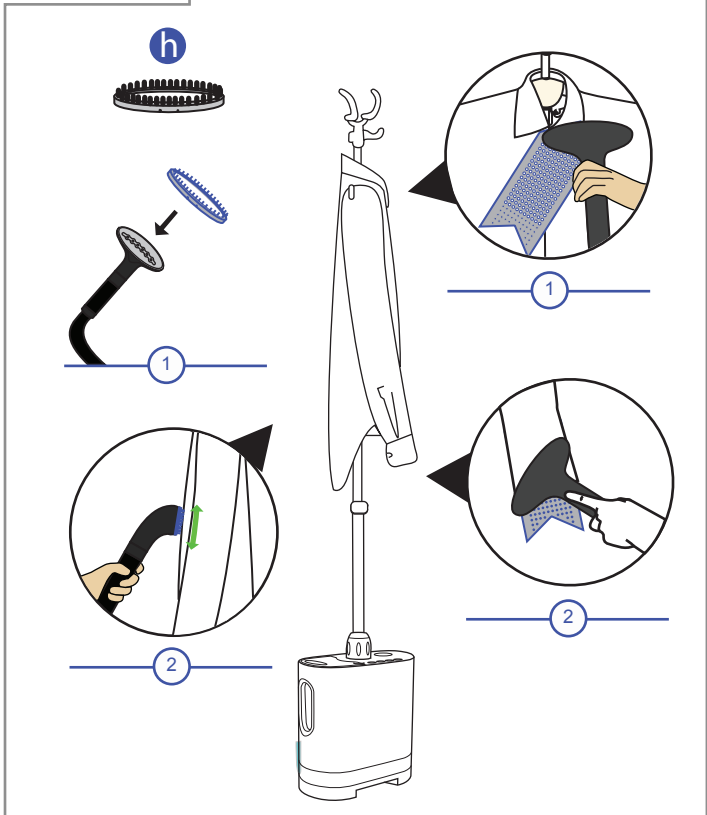


2

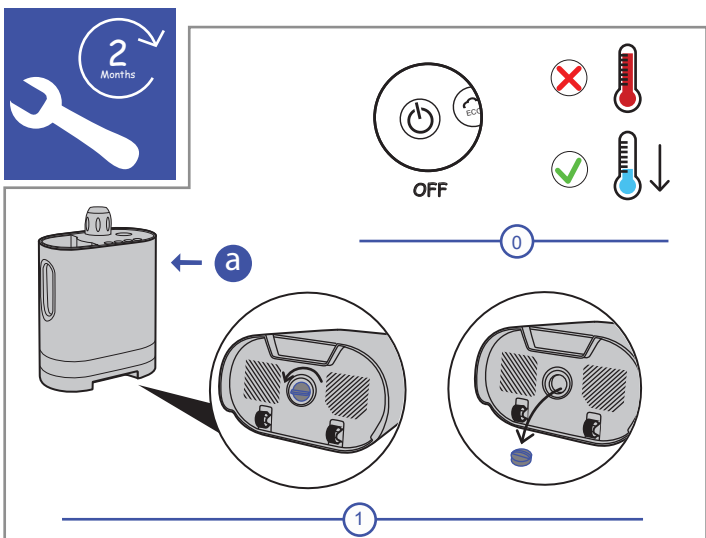
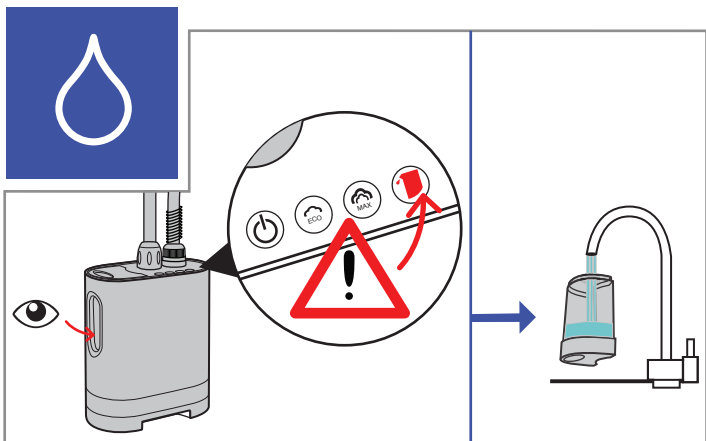


3

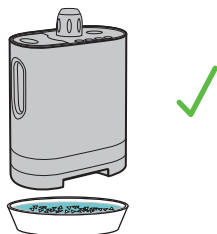
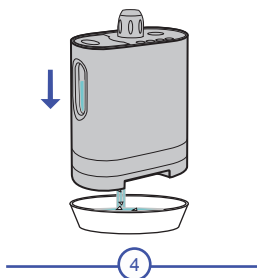
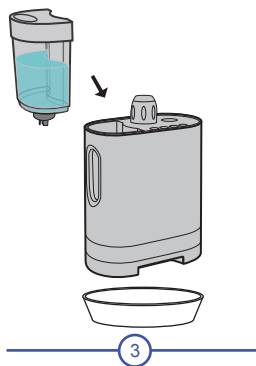
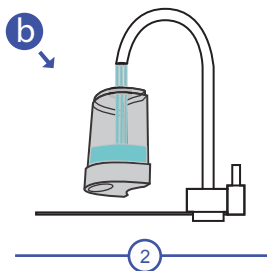
SteamOne



SteamOne



SteamOne



SteamOne